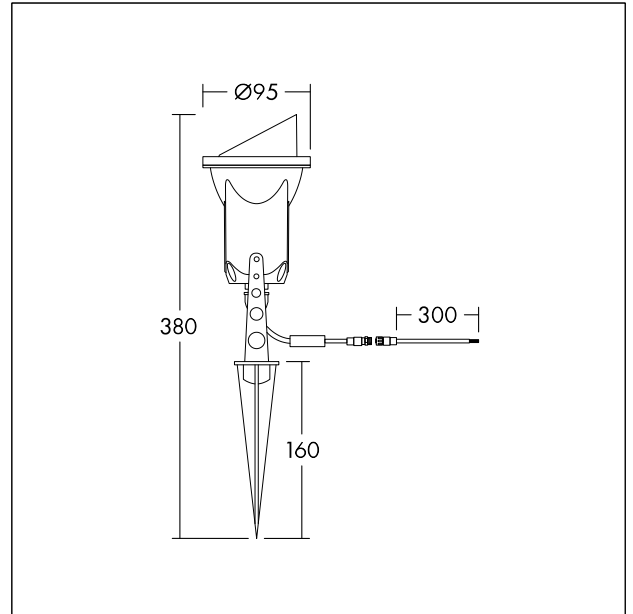


LED Garden Spotlight

Round IP66 LED Garden Spotlight for outdoor applications with black aluminium die cast housing. Colour Temperature 3000K (warm-white) with colour rendering index Ra80, LED service life: 50000 h before luminous flux is reduced to 80 % of the initial value. Power: 8W, 500 Lumen @ 63lm/W; IK08; IP66; 230V. Pre-assembled with 15cm H07RN-F 3G1,5mm² (waterstop included) and connector for fast installation. Compatible with THORNeco cable system. Corrosion Class C4 - Minimum distance to Sea 5km. Product is not suitable for use with chlorines. Dimensions: Ø95 x 380 mm, weight: 0.75 kg



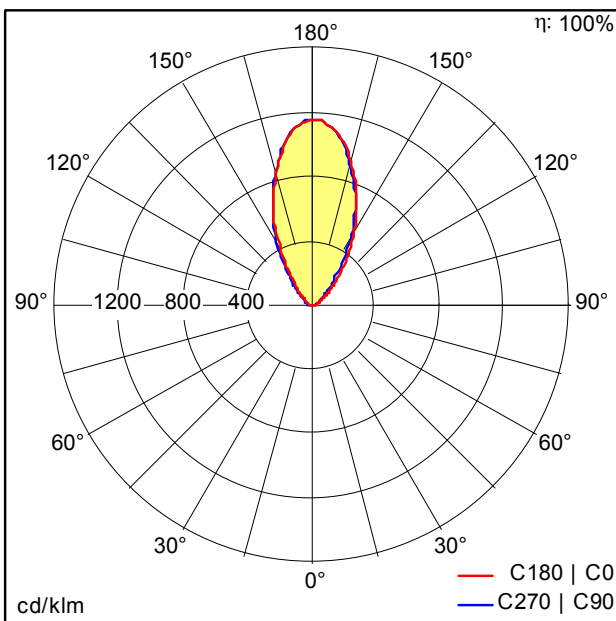
TE_MARY_F_M_persp.jpg



TE_MARY_M_95.wmf

Light Distribution

STD - standard



TE_MARY_GARDEN_SPOT_IP66_500_830.idt

- Light Source: LED
- Luminaire luminous flux*: 500 lm
- Luminaire efficacy*: 63 lm/W
- Colour Rendering Index min.: 80
- Correlated colour temperature: 3000 Kelvin
- Chromaticity tolerance (initial MacAdam): 6
- Rated median useful life*: L80 50000h at 25°C
- Ballast: 1x LED_Con
- Luminaire input power*: 8 W
- Dimming: Fixed output

This product contains a light source of energy efficiency class E.

All values marked with an * are rated values. Luminous flux and connected electrical load are subject to an initial tolerance of +/- 10%. Unless stated otherwise, the values apply to an ambient temperature of 25°C.